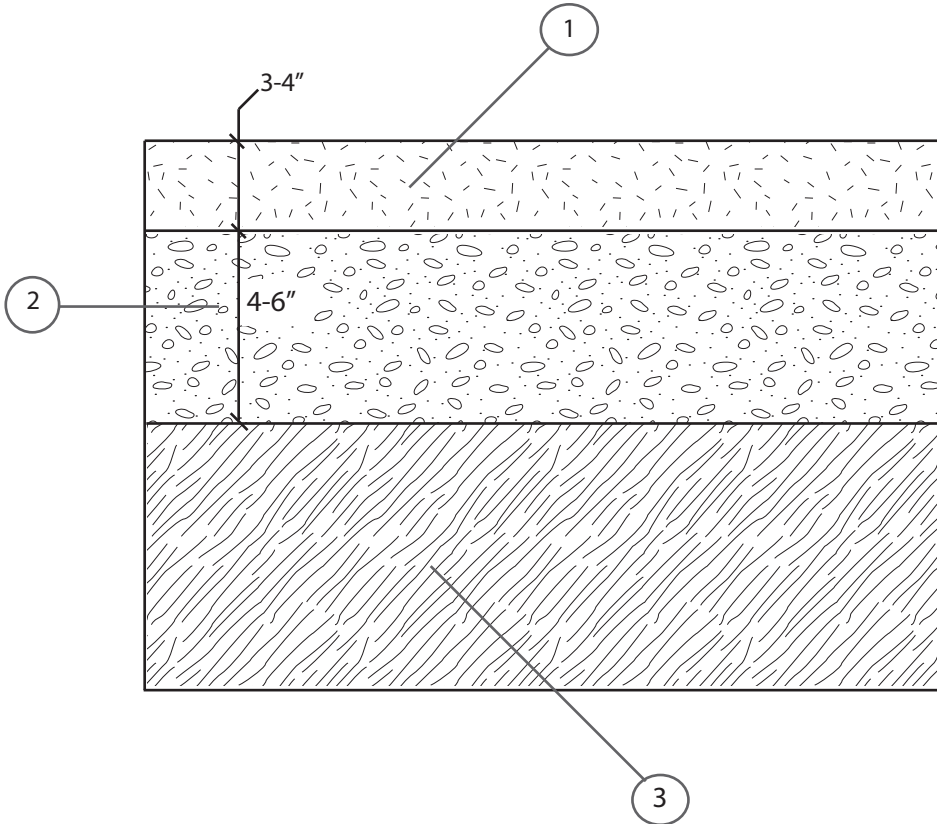


STABILIZER™ CRUSHED AGGREGATE / CROSS SECTION



- ① 3 TO 4-INCHES OF CRUSHED AGGREGATE (3/8" TO 1/4") SCREENINGS WITH STABILIZER™ AS SPECIFIED.
- ② 4 TO 6-INCHES OF COMPACTED BROKEN STONE OR YOUR STATE'S APPROVED DOT BASE COURSE.
- ③ COMPACTED SUBGRADE.



The Evolution of Soil.

Stabilizer Solutions, Inc.

33 South 28th Street, Phoenix, AZ 85034

Ph: 602.225.5900 / Toll Free: 1.800.336.2468 / Fax: 602.225.5902

www.stabilizersolutions.com / info@stabilizersolutions.com