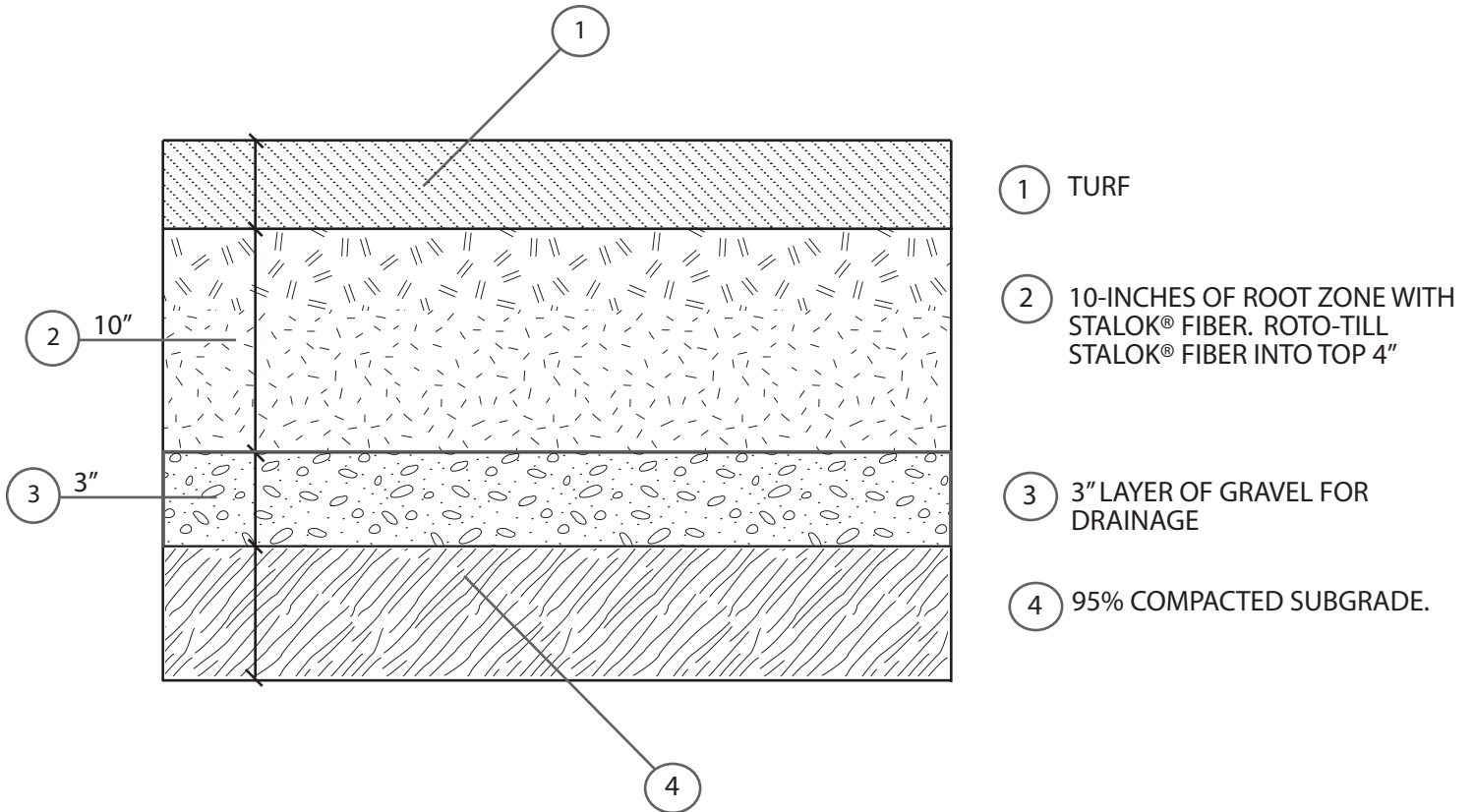




STALOK® FIBER / CROSS SECTION



Advancing The Evolution of Soil.

[www.StabilizerSolutions.com](http://www.StabilizerSolutions.com)

1.800.336.2468 / 602.225.5900

33 South 28th Street, Phoenix, AZ 85034

26 Years Over 100,000 Projects 36 Countries