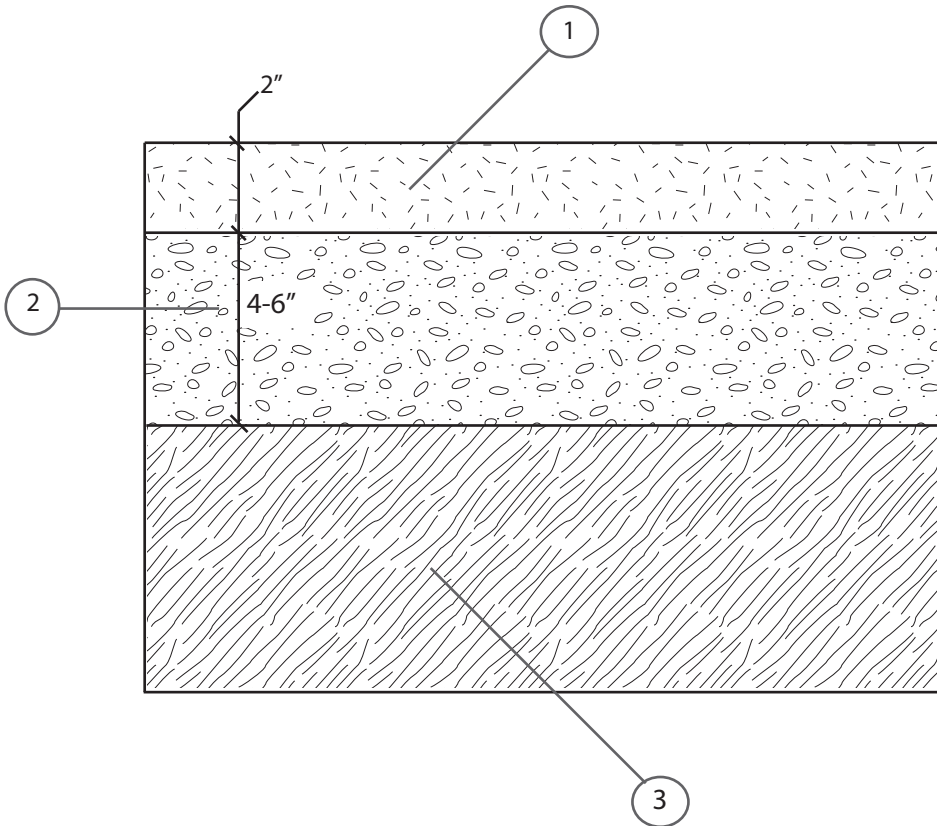


STALOK[®] PAVING MATERIAL / CROSS SECTION



- ① 2-INCHES OF STALOK[®] PAVING MATERIAL AS SPECIFIED.
- ② 4 TO 6-INCHES OF COMPACTED BROKEN STONE OR YOUR STATE'S APPROVED DOT BASE COURSE.
- ③ COMPACTED SUBGRADE.



Advancing The Evolution of Soil.

www.StabilizerSolutions.com

1.800.336.2468 / 602.225.5900

33 South 28th Street, Phoenix, AZ 85034

26 Years Over 100,000 Projects 36 Countries